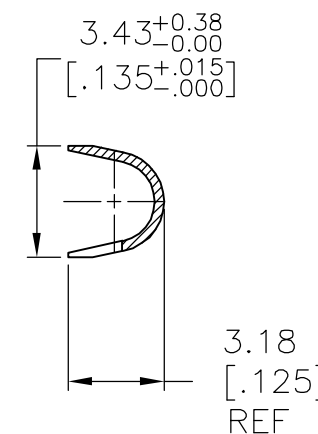
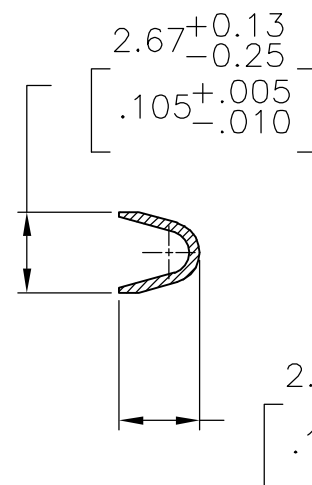
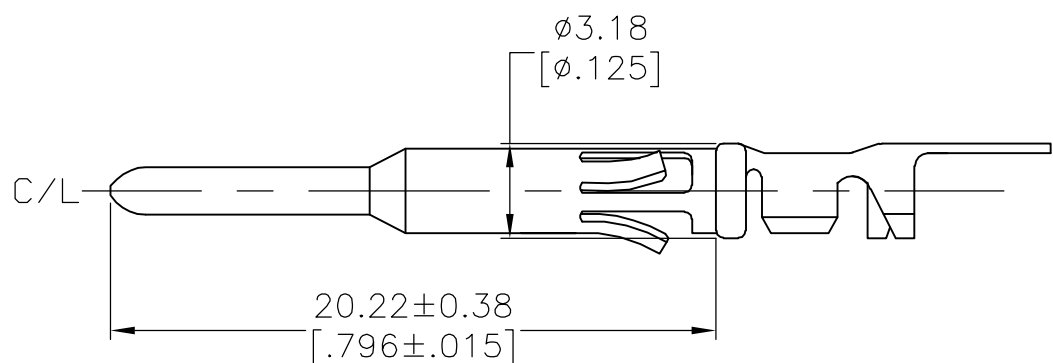
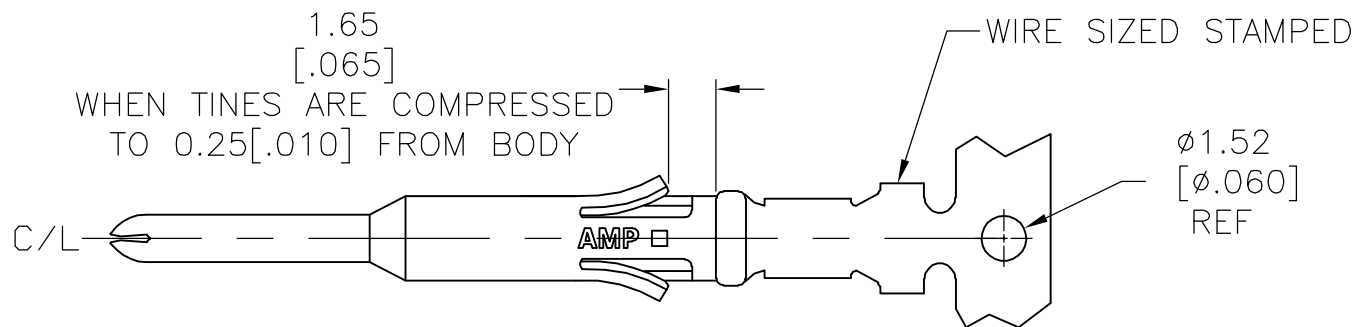


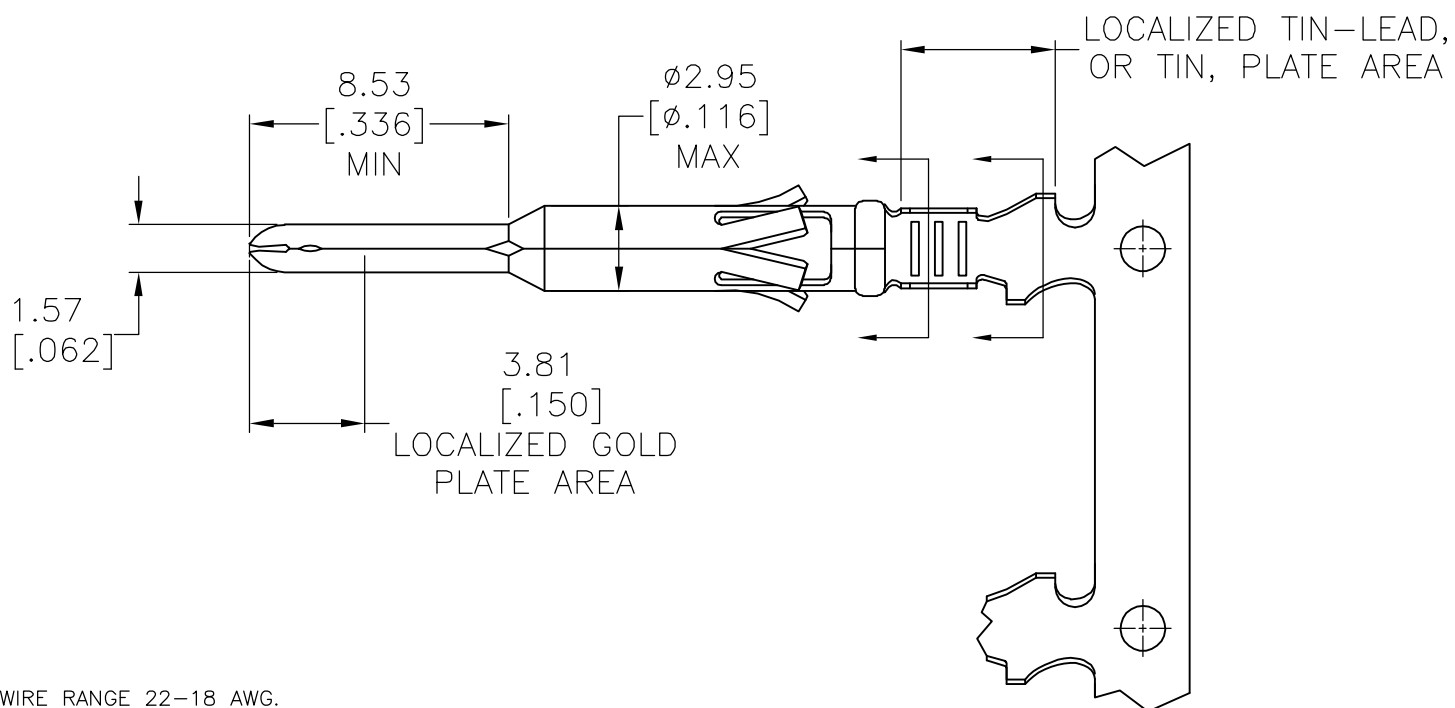
THIS DRAWING IS UNPUBLISHED. RELEASED FOR PUBLICATION  
 © COPYRIGHT BY TYCO ELECTRONICS CORPORATION. ALL RIGHTS RESERVED.

LOC	DIST	REVISIONS			
P	LTR	DESCRIPTION	DATE	DWN	APVD
FT	0	F1	REV PER ECO-05-13552	11/16/05	SS GS



SECTION B-B

SECTION A-A



1. WIRE RANGE 22-18 AWG.
  2. INSULATION RANGE 1.27-2.79 [.050-.110] DIA.
  3. FOR LOOSE PIECE PART SEE DWG 66591.
- ⚠ 0.76µm [.000030] MIN GOLD IN LOCALIZED GOLD PLATE AREA, 1.27µm [.000050] MIN TIN-LEAD IN LOCALIZED TIN-LEAD PLATE AREA, BOTH OVER 1.27µm [.000050] MIN NICKEL.
  - ⚠ TIN PLATED.
  - ⚠ GOLD PLATING PER MIL-G-45204, TIN PER MIL-T-10727 AND NICKEL PER QQ-N-290.
  - ⚠ 0.76µm [.000030] MIN GOLD IN LOCALIZED GOLD PLATE AREA, 1.27µm [.000050] MIN TIN IN LOCALIZED TIN PLATE AREA, BOTH OVER 1.27µm [.000050] MIN NICKEL.

REVERSE REELED FOR MINI-APPLICATOR	⚠	66581-7
REVERSE REELED FOR MINI-APPLICATOR	⚠	66581-4
-	⚠	66581-3
REVERSE REELED FOR MINI-APPLICATOR	⚠	66581-2
-	⚠	66581-1
DESCRIPTION	FINISH	PART NUMBER

OBSOLETE

THIS DRAWING IS A CONTROLLED DOCUMENT.		DWN V. FURLER 15MAY2003	Tyco Electronics Corporation Harrisburg, PA 17105-3608	
DIMENSIONS: mm [INCHES]	TOLERANCES UNLESS OTHERWISE SPECIFIED:	CHK G. STEINHAEUER 16MAY03	NAME CONTACT, PIN, STRIP, TYPE VI, MULTIMATE	
	0 PLC ± -	APVD G. STEINHAEUER 16MAY03	SIZE	CAGE CODE
	1 PLC ± -	PRODUCT SPEC	A3	00779
MATERIAL BRASS MIL-C-50	2 PLC ± 0.13 [.005]	APPLICATION SPEC	DRAWING NO	RESTRICTED TO
	3 PLC ± -	WEIGHT	C-66581	-
FINISH SEE TABLE ⚠	4 PLC ± -	CUSTOMER DRAWING	SCALE	SHEET
	ANGLES ± -	SCALE	NTS	1 OF 1
		REV	F1	